



**Small in footprint,  
large in performance.**

The **CED 400** is the world's narrowest 2-4 valve dispenser in its class. Boasting the latest technology for energy savings and sustainability, and the flexibility to offer carbonated and non-carbonated beverages, the **CED 400** is your solution to delivering what your customer wants.


**Features**


↔ Narrow Width - 10.8" (275 mm)


 Eco-Smart Cooling™

 R290 Refrigerant

 Reduced Energy Consumption

 Available with 2, 3, & 4 LPV Valves

 Consistent Internal Cold Carbonation

 Removable Refrigeration Deck for Ease of Service

 Stainless Steel Construction

 Lancer Electronic Ice Bank Control

 1/3 HP Compressor

**Options**

- Illuminated LED Merchandiser
- Outage LED Indicator (CO<sub>2</sub>, syrup, and water)
- Internal mini syrup pumps

**Accessories**

- Key Lock Switch
- Leg Kit

Certified by these agencies:



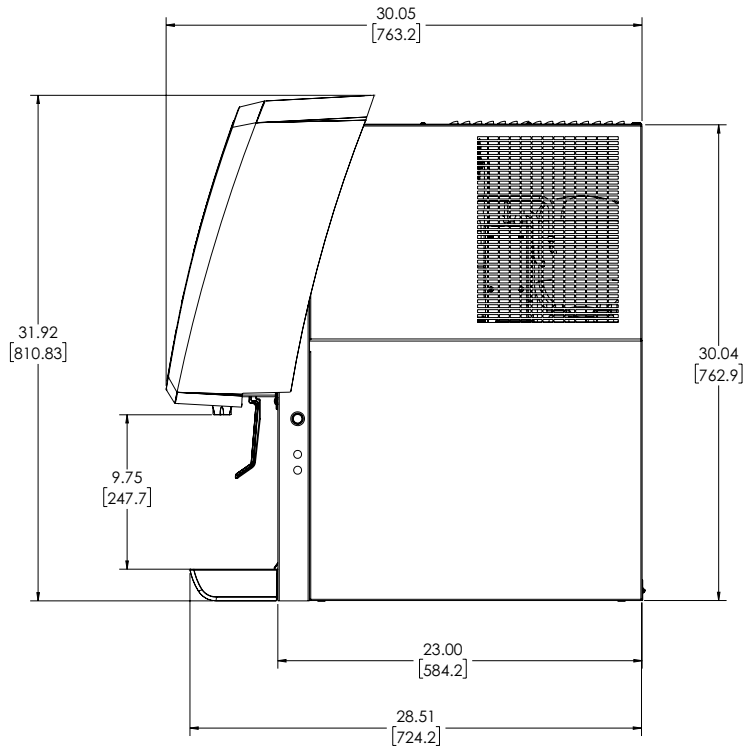
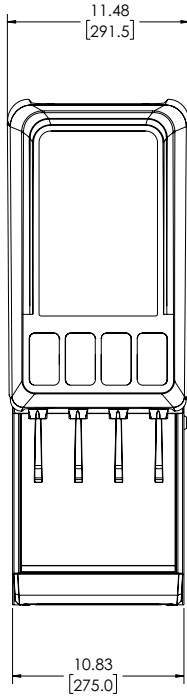
**CUSTOMER SERVICE**

Should you require more information about our products, please do not hesitate to contact our customer service team at [custserv@lancerworldwide.com](mailto:custserv@lancerworldwide.com).

**WARRANTY**

For warranty specifics by product, contact your Lancer Sales Representative. Equipment design and/or specifications are subject to change without notice.





### Distinctive Design

Flexible carb to non-carb dispensing

<b>2-valve</b>		C/NC	C/NC	
<b>3-valve</b>		C/NC	C/NC	C
<b>4-valve</b>	C	C/NC	C/NC	C
	Valve 4	Valve 3	Valve 2	Valve 1



#### Dimensions

30" H x 10.8" W x 28" D  
(764 mm H x 275 mm W x 719 mm D)



#### Weight

Empty: 146 lbs (66.2 kg)  
Operating: 193 lbs (87.5kg)  
Shipping: 160 lbs (72.5kg)



#### Ice Bank

Capacity: 14 lbs (6.4 kg)



#### Electrical

115V/60Hz, 6 Amps  
220V/50Hz, 3 Amps  
220V/60Hz, 3 Amps



#### 1/3 hp Compressor

285W (115V/60Hz)  
450W (220V/50Hz)  
400W (220V/60Hz)

